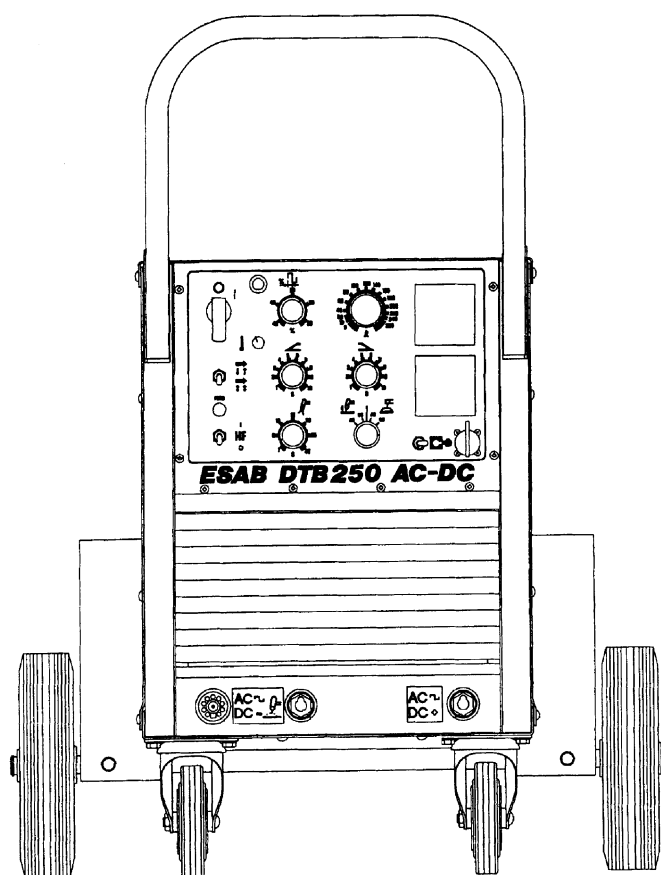




# ***DTB 250***

## ***AC/DC SQUARE Wave***



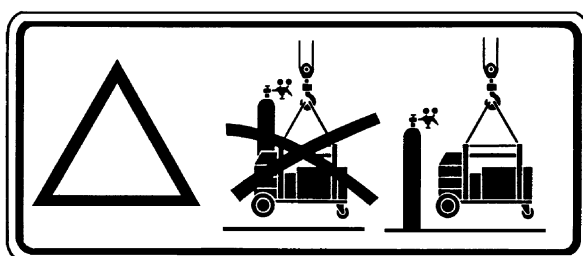
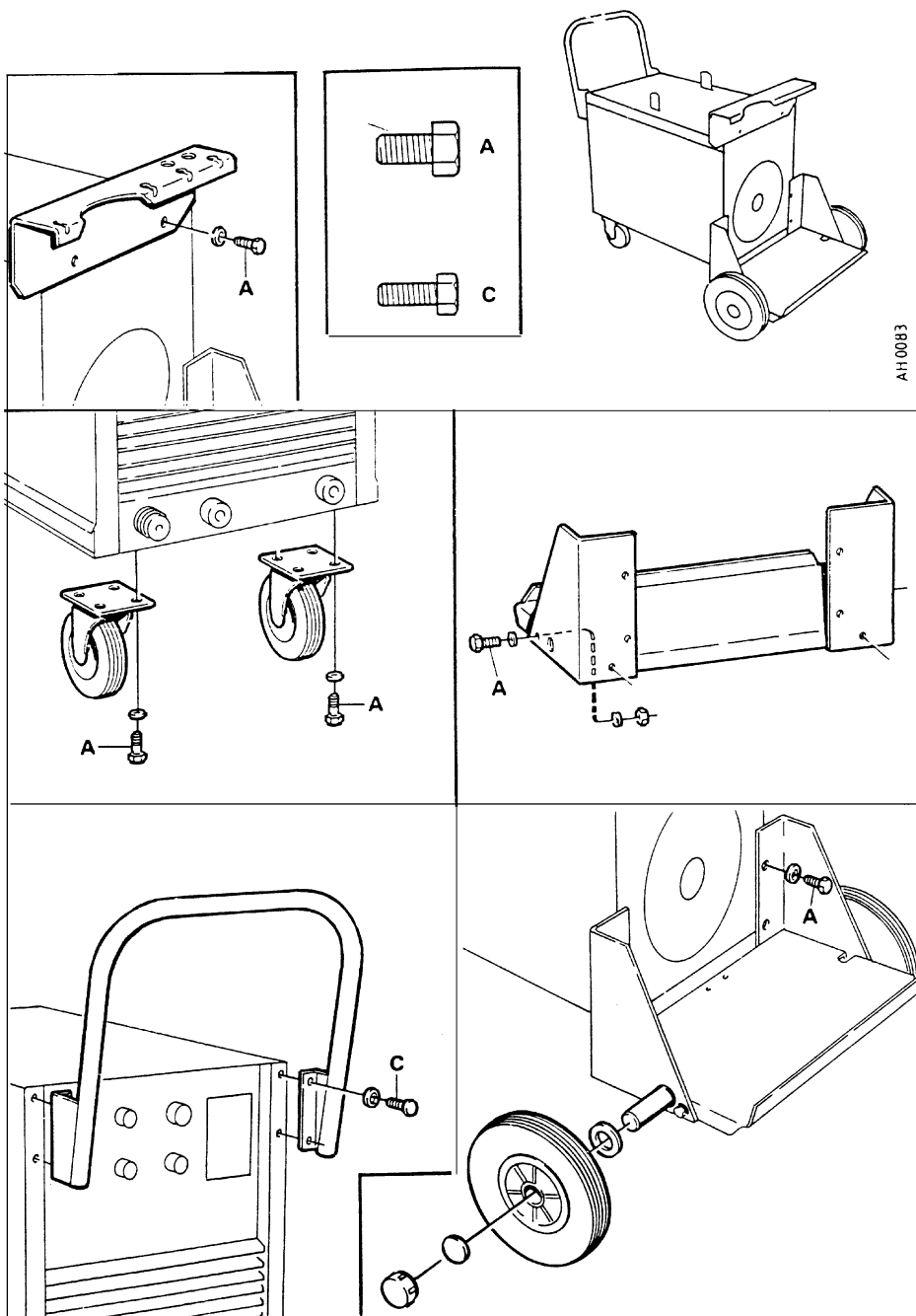
**Bruksanvisning  
Brugsanvisning  
Bruksanvisning  
Käyttöohjeet  
Instruction manual  
Betriebsanweisung**

**Manuel d'instructions  
Gebruiksaanwijzing  
Instrucciones de uso  
Istruzioni per l'uso  
Manual de instruções  
Οδηγίες χρήσεως**

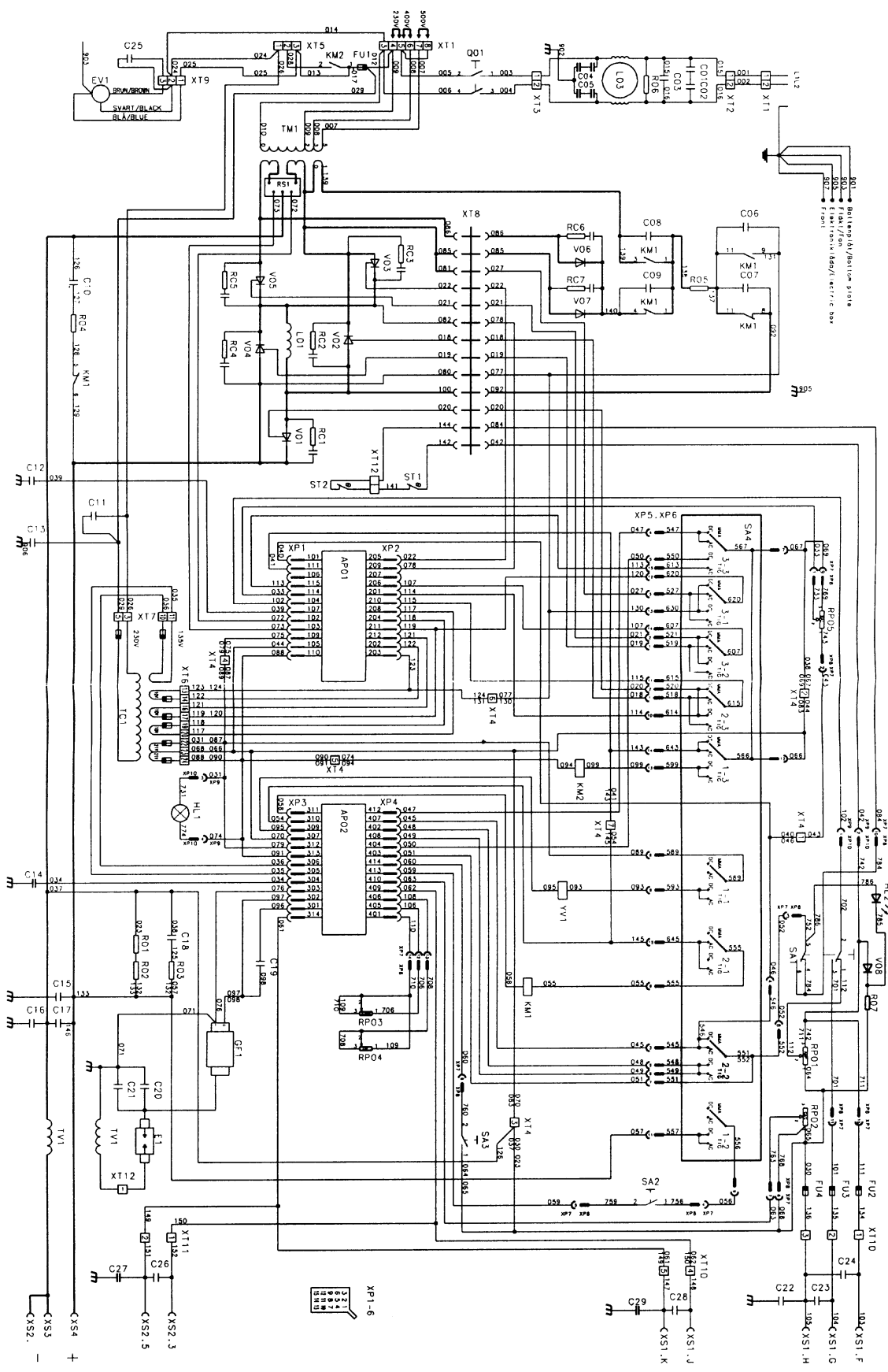
SVENSKA .....	3
DANSK .....	11
NORSK .....	19
SUOMI .....	27
ENGLISH .....	35
DEUTSCH .....	43
FRANÇAIS .....	51
NEDERLANDS .....	59
ESPAÑOL .....	67
ITALIANO .....	75
PORTUGUÊS .....	83
ΕΛΛΗΝΙΚΑ .....	91

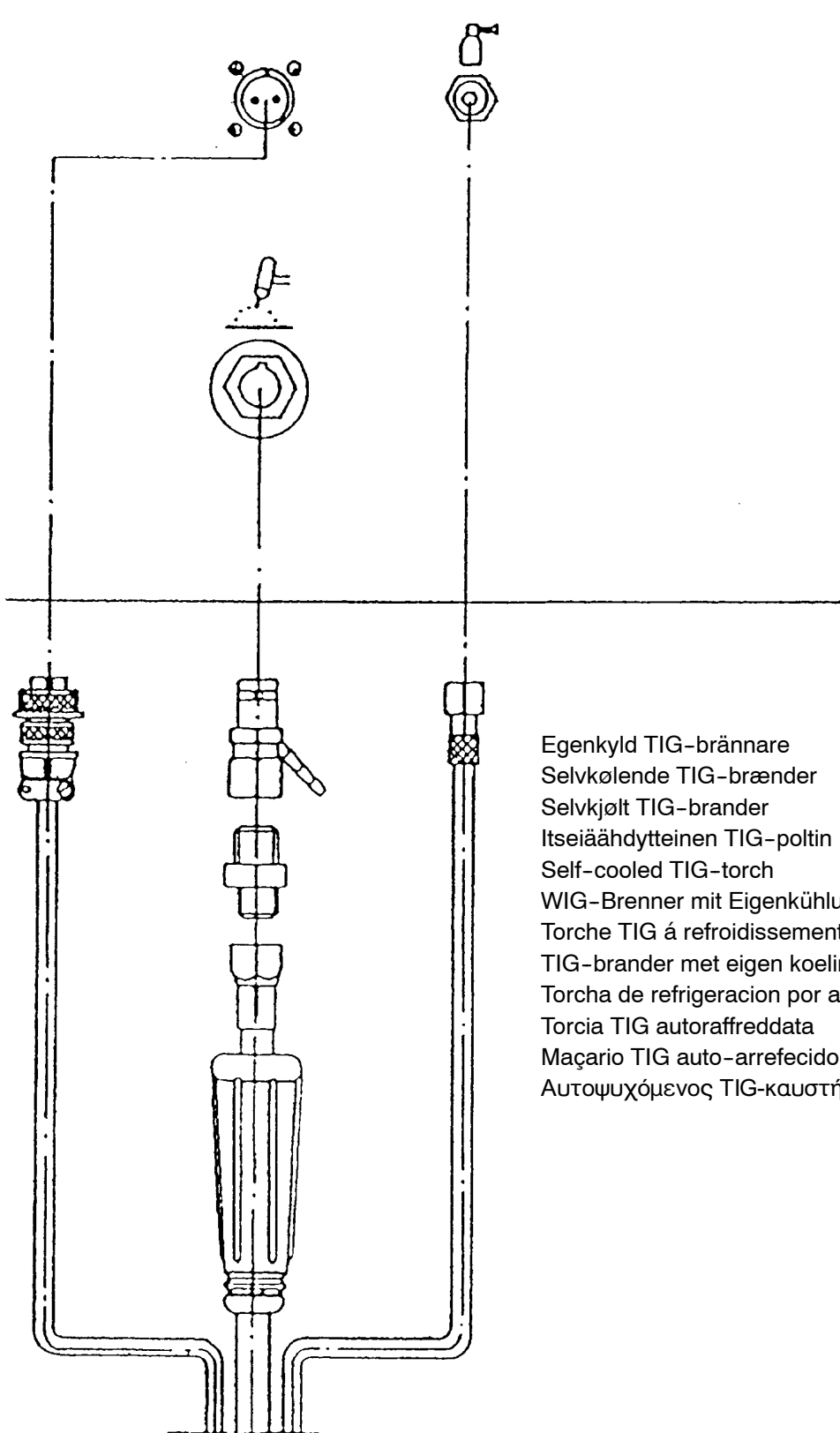
Rätt till ändring av specifikationer utan avisering förbehålles.  
 Ret til ændring af specifikationer uden varsel forbeholdes.  
 Rett til å endre spesifikasjoner uten varsel forbeholdes.  
 Oikeudet muutoksiin pidätetään.  
 Rights reserved to alter specifications without notice.  
 Änderungen vorbehalten.  
 Sous réserve de modifications sans avis préalable.  
 Recht op wijzigingen zonder voorafgaande mededeling voorbehouden.  
 Reservado el derecho de cambiar las especificaciones sin previo aviso.  
 Ci riserviamo il diritto di variare le specifiche senza preavviso.  
 Reservamo-nos o direito de alterar as especificações sem aviso prévio.  
 Διατηρείται το δικαίωμα τροποποίησης προδιαγραφών Χωρίς προειδοποίηση.

**Monteringsanvisning Monteringsvejledning Monteringsanvisning**  
**Asennusohjeet Assembly instructions Montierungsanweisung Instructions**  
**d'assemblage Montagevoorschriften Instrucciones de montaje Istruzioni di**  
**montaggio Instruções de montagem Οδηγίες τοποθέτησης**



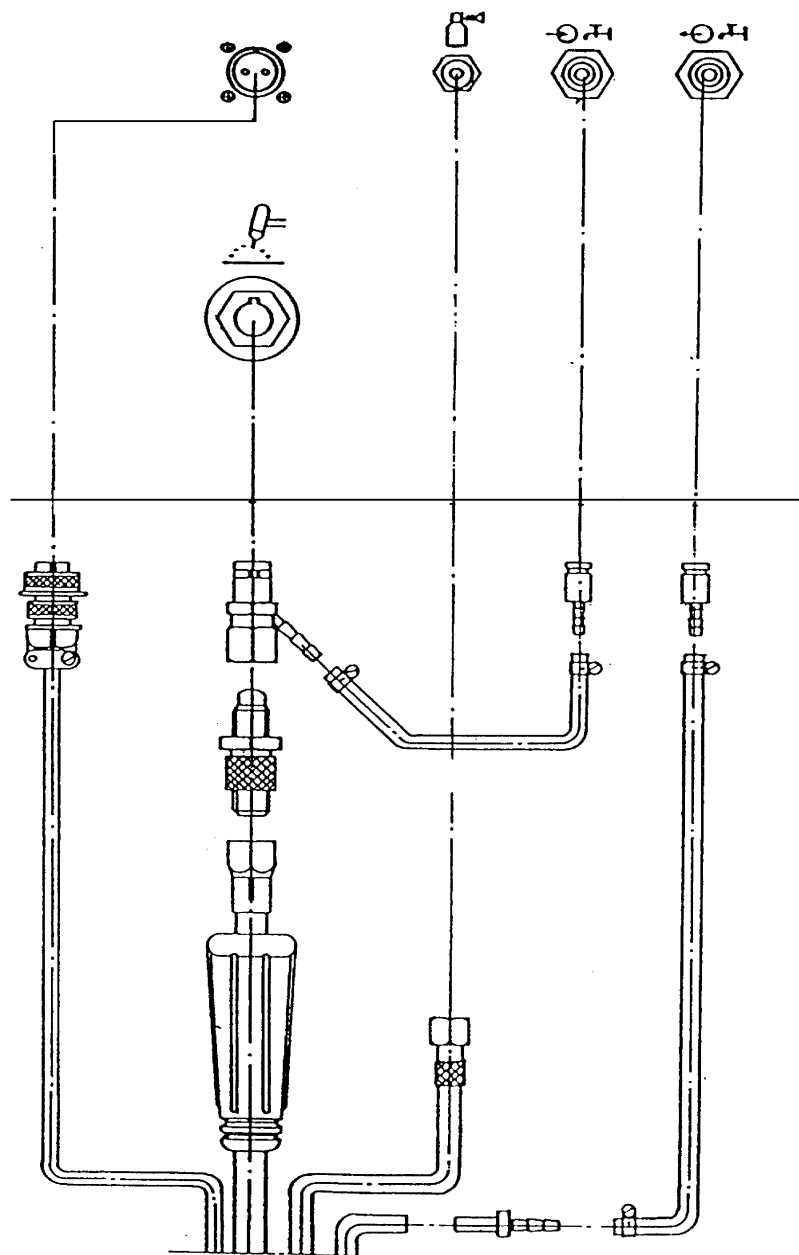
Schema Skema Skjema Johdotuskaavio Diagram Schaltplan Schéma  
 Schema Esquema Schema Esquema Σχήμα σύνδεσης





- Egenkyld TIG-brännare
- Selvkølede TIG-brænder
- Selvkjølt TIG-brander
- Itseiähdytteinen TIG-poltin
- Self-cooled TIG-torch
- WIG-Brenner mit Eigenkühlung
- Torche TIG á refroidissement naturel
- TIG-brander met eigen koeling,
- Torcha de refrigeracion por aire
- Torcia TIG autoraffreddata
- Maçario TIG auto-arrefecido
- Αυτοψυχόμενος TIG-καυστήρας

Vattenkyld TIG-brännare  
 Vandkølet TIG-brænder  
 Vannkjølt TIG-brander  
 Vesijäähdytteinen TIG-poltin  
 Water-cooled TIG-torch  
 WIG-Brenner mit Wasserkühlung  
 Torche TIG refroidie par eau  
 TIG-brander met water koeling  
 Torcha refrigerada por agua  
 Torcia TIG con raffreddamento ad acqua  
 Maçarico TIG arrefecido a água  
 TIG-Καυστήρας συγκόλλησης υδρόψυκτο



Reservdelsförteckning Reservdelsfortegnelse Reservdelsliste Varaosa-  
luettelo Spare parts list Ersatzteilliste Liste de pièces détachées  
Reserveonderdelenlijst Lista de repuestos Elenco ricambi Lista de peças  
sobressalentes Πίνακας ανταλλακτικών μερών

**Edition 95.10.25**

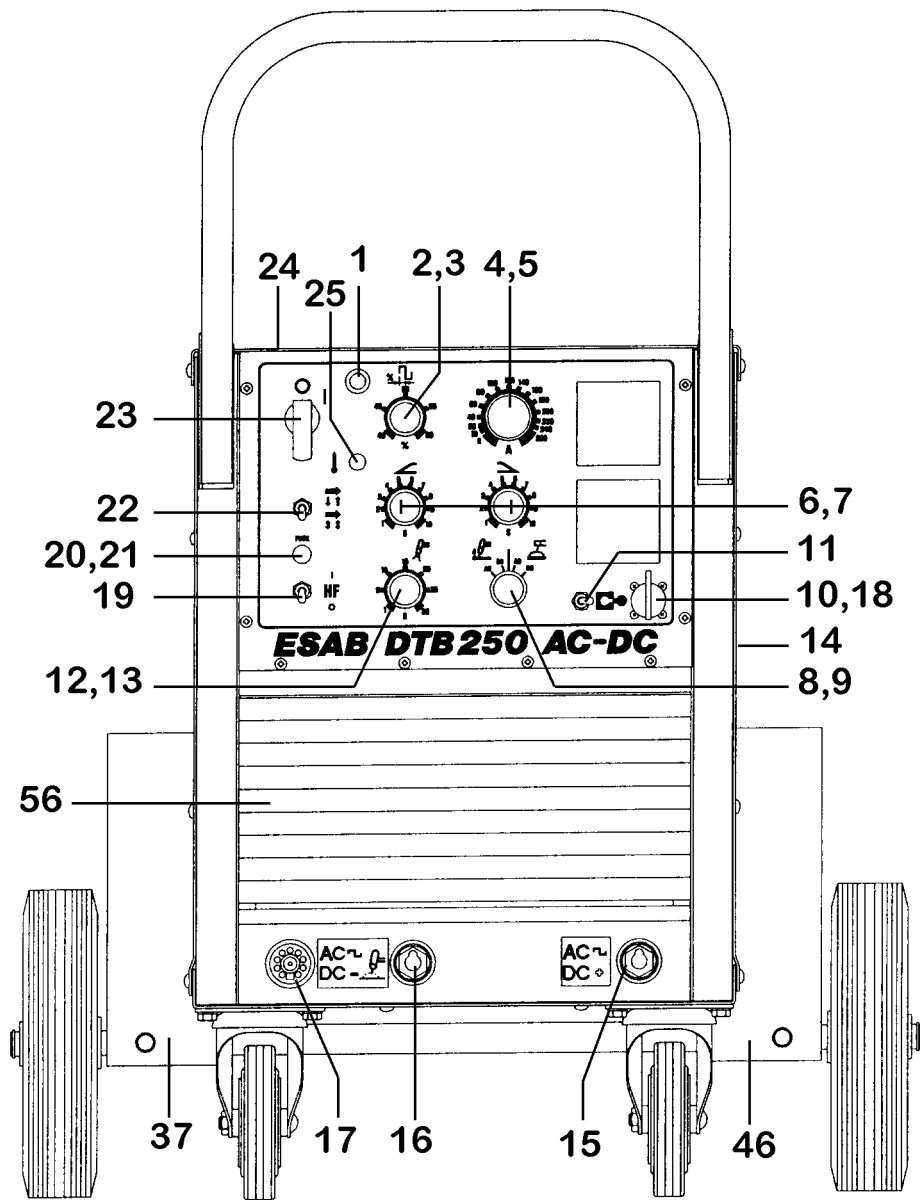
C = Component designation in the circuit diagram

Item no.	Qty	Orderingno.	Denomination	Remarks
1	1	192 576-004	Indicator lamp	HL1
2	1	191 510-106	Knob	
3	1	191 870-216	Potentiometer	RP05
4	1	321 475-882	Knob	
5	1	191 870-512	Potentiometer	RP01
6	2	191 510-106	Knob	
7	2	191 870-228	Potentiometer	RP03,RP04
8	1	191 510-104	Knob	
9	1	466 657-880	Switch	SA4
10	1	368 544-003	Socket	XS1
11	1	347 319-001	Switch	SA1
12	1	191 510-106	Knob	
13	1	191 870-230	Potentiometer	RP02
14	2	466 932-001	Side plate	
15	1	160 362-881	Socket	XS4
16	1	156 868-880	Socket	XS3
17	1	367 258-880	Centralconnection	XS2
18	1	366 285-001	Cover	
19	1	347 319-001	Switch	SA2
20	1	466 484-001	Fuse holder	
21	1	567 900-102	Fuse	FU1
22	1	347 319-001	Switch	SA3
23	1	349 062-001	Switch	Q01
24	1	368 708-001	Cover	
25	1	193 666-003	Indicator lamp	HL2
26	1	156 867-001	Grommet	
27	1	2521 035-01	Nipple	
28	1	5385 009-02	Sleeve socket	2-pol.

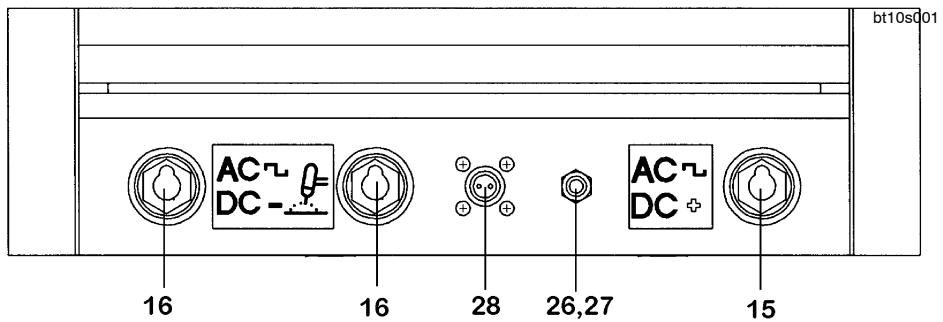
Item no.	Qty	Orderingno.	Denomination	Remarks
29	2	347 092-002	Resistor	RP01,RP02
30	1	466 649-880	HF-coil	L03
31	1	349 217-001	Sparkgap	E1
32	1	349 218-001	Nut	
33	2	152 648-001	Capacitor	C20,C21
34	1	192 753-012	Connection block	XT8
35	1	193 054-002	Solenoid valve	YV1
36	4	349 054-001	Thyristor	V02,V03
37	1	349 130-003	Bottle holder left	
38	1	320 378-011	Connection block	XT1
39	1	469 950-880	Cable clamp	
40	1	193 655-003	Connection block	XT5
41	1	349 096-001	Support	
42	1	321 173-001	Chain	L=700
43	1	456 194-001	Rear end plate	
44	1	190 315-104	Gas hose	L=2000
45	1	320 028-002	Thyristor	V01
46	1	349 130-004	Bottle holder right	
47	1	349 099-002	Gas shelf	
48	1	469 516-004	Wheel axel	L=742
49	2	469 872-001	Wheel	
50	1	349 059-880	Thyristor bridge	
51	1	347 496-004	Cover plate	
52	1	468 480-880	Inductor compl.	
53	2	469 873-001	Link wheel	
54	1	349 057-001	Connection block	
55	1	467 371-880	Main transformer	TM1
56	1	347 597-882	Cover plate, front	
57	1	192 903-045	Capacitor	C10
58	3	466 484-001	Fuse holder	
59	3	567 900-120	Fuse	FU2,FU3,FU4
60	1	349 042-881	Handle	



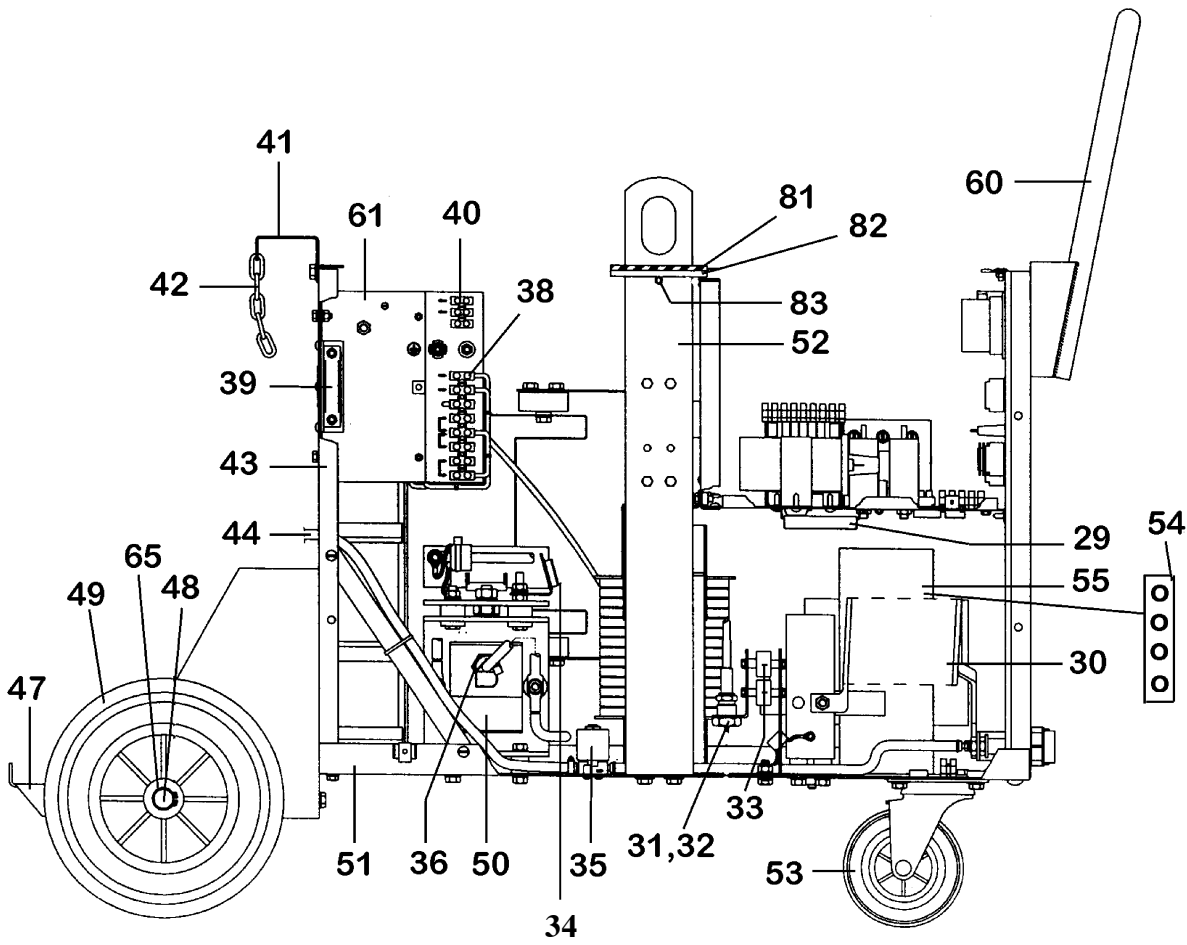
Item no.	Qty	Orderingno.	Denomination	Remarks
61	1	369 945-880	Supressior unit	
62	1	193 545-107	Capacitor	CO3
63	1	191 094-160	Resistor	R06
64	1	191 085-202	Capacitor	C25
65	2	192 859-126	Locking washer	
66	1	319 838-001	Fan cover	
67	1	162 430-001	Fan	EV1
68	1	349 061-001	Resistor	R05
69	1	481 635-880	PC-board	AP02
70	1	192 579-009	Resistor	R04
71	1	193 670-003	Relay	KM2
72	1	143 843-005	Relay	KM1
73	1	143 843-006	Socket	
74	1	466 884-008	Connection block	XT4
75	1	192 579-111	Resistor	R03
76	2	498 400-104	Capacitor	C18,C19
77	1	156 900-002	Ignition coil	GF1
78	1	349 060-880	Transformer	TC1
79	1	481 366-880	PC-board	AP01
80	1	368 020-001	Thermostat	ST1
81	2	468 797-001	Gasket	
82	2	468 796-001	Support plate	
83	2	2111 030-05	Cylindrical pin	



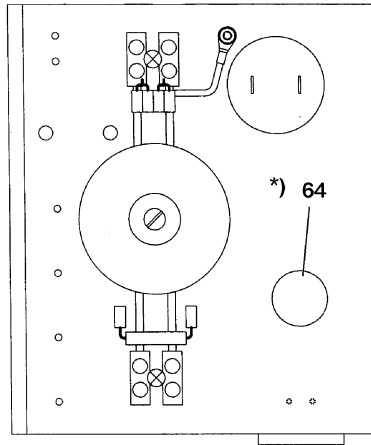
OKC



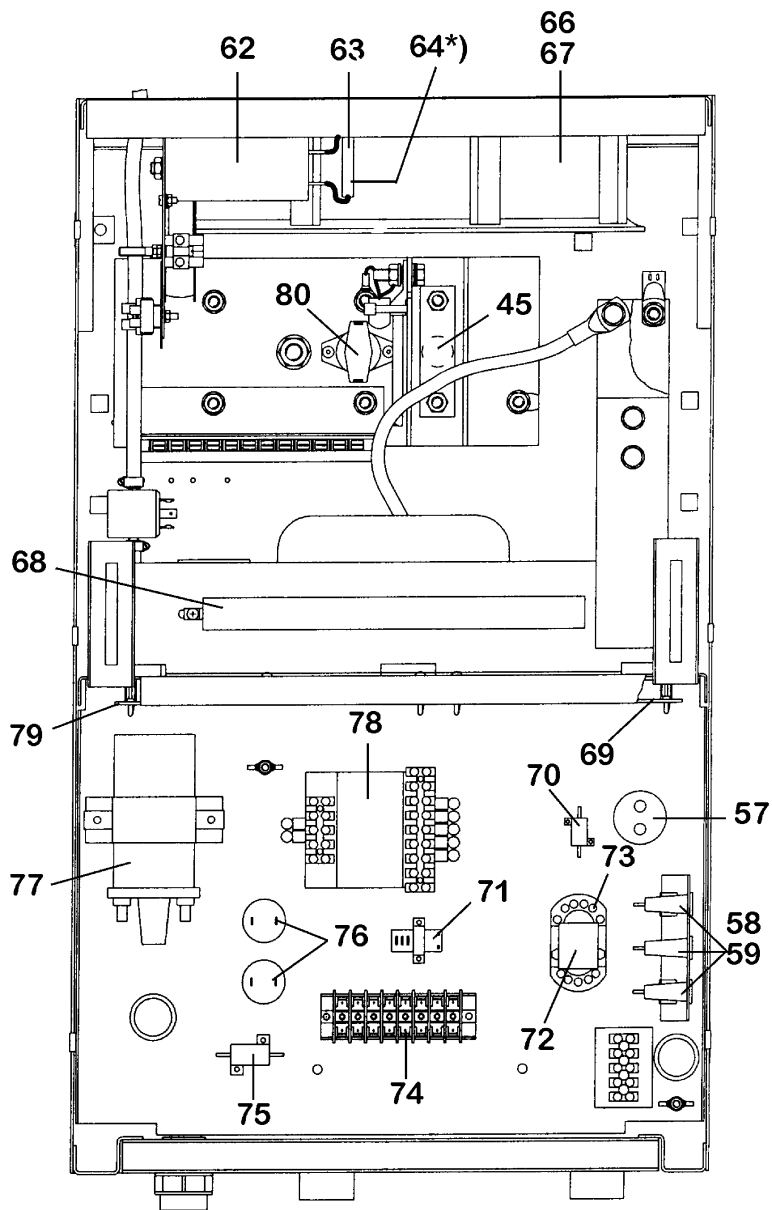
bt10s002



bt10s003



bt10s005



bt10s004

# ESAB subsidiaries and representative offices

## Europe

### AUSTRIA

ESAB Ges.m.b.H  
Vienna-Liesing  
Tel: +43 1 888 25 11  
Fax: +43 1 888 25 11 85

### BELGIUM

S.A. ESAB N.V.  
Brussels  
Tel: +32 2 745 11 00  
Fax: +32 2 726 80 05

### THE CZECH REPUBLIC

ESAB VAMBERK s.r.o.  
Prague  
Tel: +420 2 819 40 885  
Fax: +420 2 819 40 120

### DENMARK

Aktieselskabet ESAB  
Copenhagen-Valby  
Tel: +45 36 30 01 11  
Fax: +45 36 30 40 03

### FINLAND

ESAB Oy  
Helsinki  
Tel: +358 9 547 761  
Fax: +358 9 547 77 71

### FRANCE

ESAB France S.A.  
Cergy Pontoise  
Tel: +33 1 30 75 55 00  
Fax: +33 1 30 75 55 24

### GERMANY

ESAB GmbH  
Solingen  
Tel: +49 212 298 0  
Fax: +49 212 298 204

### GREAT BRITAIN

ESAB Group (UK) Ltd  
Waltham Cross  
Tel: +44 1992 76 85 15  
Fax: +44 1992 71 58 03

ESAB Automation Ltd  
Andover  
Tel: +44 1264 33 22 33  
Fax: +44 1264 33 20 74

### HUNGARY

ESAB Kft  
Budapest  
Tel: +36 1 20 44 182  
Fax: +36 1 20 44 186

### ITALY

ESAB Saldatura S.p.A.  
Mesero (Mi)  
Tel: +39 02 97 96 81  
Fax: +39 02 97 28 91 81

### THE NETHERLANDS

ESAB Nederland B.V.  
Utrecht  
Tel: +31 30 248 59 22  
Fax: +31 30 248 52 60

### NORWAY

AS ESAB  
Larvik  
Tel: +47 33 12 10 00  
Fax: +47 33 11 52 03

### POLAND

ESAB Sp.z.o.o  
Warszaw  
Tel: +48 22 813 99 63  
Fax: +48 22 813 98 81

### PORTUGAL

ESAB Lda  
Lisbon  
Tel: +351 1 837 1527  
Fax: +351 1 859 1277

### SLOVAKIA

ESAB Slovakia s.r.o.  
Bratislava  
Tel: +421 7 44 88 24 26  
Fax: +421 7 44 88 87 41

### SPAIN

ESAB Ibérica S.A.  
Alcobendas (Madrid)  
Tel: +34 91 623 11 00  
Fax: +34 91 661 51 83

### SWEDEN

ESAB Sverige AB  
Gothenburg  
Tel: +46 31 50 95 00  
Fax: +46 31 50 92 22

ESAB International AB  
Gothenburg  
Tel: +46 31 50 90 00  
Fax: +46 31 50 93 60

### SWITZERLAND

ESAB AG  
Dietikon  
Tel: +41 1 741 25 25  
Fax: +41 1 740 30 55

## North and South America

### ARGENTINA

CONARCO  
Buenos Aires  
Tel: +54 11 4 753 4039  
Fax: +54 11 4 753 6313

### BRAZIL

ESAB S.A.  
Contagem-MG  
Tel: +55 31 333 43 33  
Fax: +55 31 361 31 51

### CANADA

ESAB Group Canada Inc.  
Mississauga, Ontario  
Tel: +1 905 670 02 20  
Fax: +1 905 670 48 79

### MEXICO

ESAB Mexico S.A.  
Monterrey  
Tel: +52 8 350 5959  
Fax: +52 8 350 7554

### USA

ESAB Welding & Cutting Products  
Florence, SC  
Tel: +1 843 669 44 11  
Fax: +1 843 664 44 58

## Asia/Pacific

### AUSTRALIA

ESAB Australia Pty Ltd  
Ermington  
Tel: +61 2 9647 1232  
Fax: +61 2 9748 1685

### CHINA

Shanghai ESAB A/P  
Shanghai  
Tel: +86 21 6539 7124  
Fax: +86 21 6543 6622

### INDIA

ESAB India Ltd  
Calcutta  
Tel: +91 33 478 45 17  
Fax: +91 33 468 18 80

### INDONESIA

P.T. Esabindo Pratama  
Jakarta  
Tel: +62 21 460 01 88  
Fax: +62 21 461 29 29

### MALAYSIA

ESAB (Malaysia) Snd Bhd  
Selangor  
Tel: +60 3 703 36 15  
Fax: +60 3 703 35 52

### SINGAPORE

ESAB Singapore Pte Ltd  
Singapore  
Tel: +65 861 43 22  
Fax: +65 861 31 95

ESAB Asia/Pacific Pte Ltd  
Singapore  
Tel: +65 861 74 42  
Fax: +65 863 08 39

### SOUTH KOREA

ESAB SeAH Corporation  
Kyung-Nam  
Tel: +82 551 2 89 81 11  
Fax: +82 551 289 88 63

### THAILAND

ESAB (Thailand) Ltd  
Samutprakarn  
Tel: +66 2 393 60 62  
Fax: +66 2 748 71 11

### UNITED ARAB EMIRATES

ESAB Middle East  
Dubai  
Tel: +971 4 338 88 29  
Fax: +971 4 338 87 29

## Representative offices

### BULGARIA

ESAB Representative Office  
Sofia  
Tel/Fax: +359 2 974 42 88

### EGYPT

ESAB Egypt  
Dokki-Cairo  
Tel: +20 2 390 96 69  
Fax: +20 2 393 32 13

### ROMANIA

ESAB Representative Office  
Bucharest  
Tel/Fax: +40 1 322 36 74

### RUSSIA-CIS

ESAB Representative Office  
Moscow  
Tel: +7 095 937 98 20  
Fax: +7 095 937 95 80

ESAB Representative Office  
St Petersburg  
Tel: +7 812 325 43 62  
Fax: +7 812 325 66 85

## Distributors

*For addresses and phone numbers to our distributors in other countries, please visit our home page*

[www.esab.com](http://www.esab.com)



ESAB Welding Equipment AB  
SE-695 81 LAXÅ  
SWEDEN  
Phone +46 584 81 000  
Fax +46 584 123 08

[www.esab.com](http://www.esab.com)

